



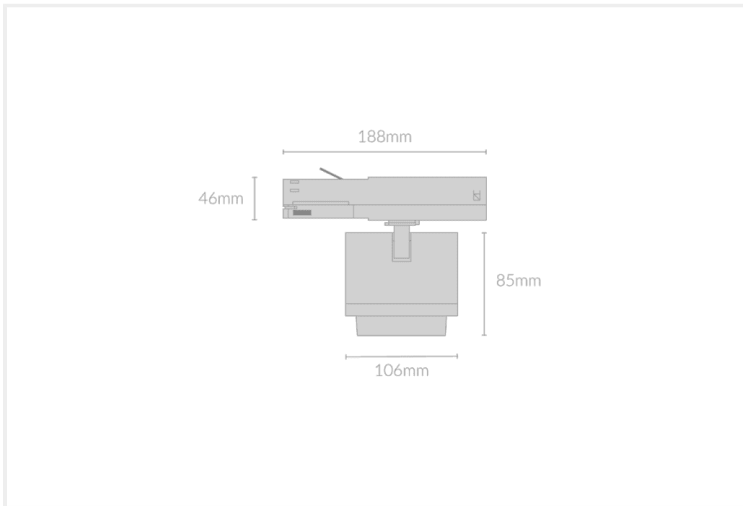
SAI SPOT 106

SAI.S106.25.WHT.WHT.40.36.

Track Mounted



| | |
|--------------------------|-----------------------|
| Mounting | Track 3-Circuit |
| Wattage | 25W |
| Voltage | 240V |
| Dimensions | (D) Ø106mm x (L) 85mm |
| Finish | White |
| Inner Trim Finish | White |
| CCT | 4000K |
| Beam Angle | 36° |
| Material | Aluminium |
| IP Rating | IP20 |
| Luminous Flux | 2039lm |
| CRI | >92+ |
| Colour Deviation | <2 SDCM |
| Lifetime | 50,000 hours |
| Driver | Remote |



Control Gear

Accessories

