



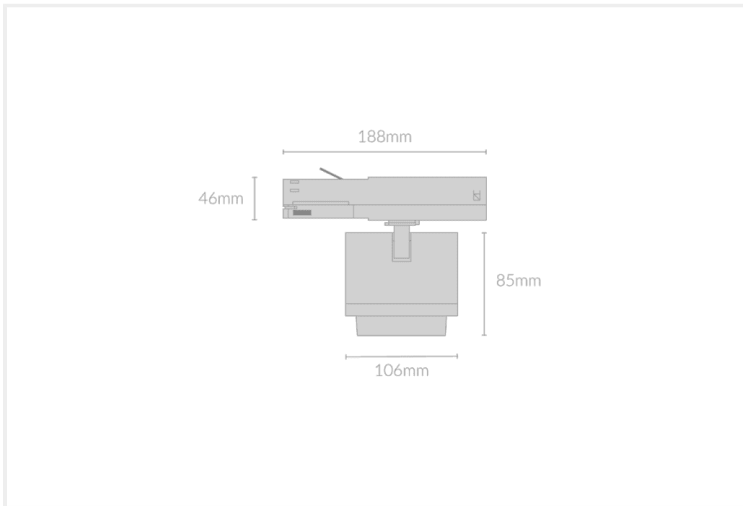
# SAI SPOT 106

SAI.S106.25.WHT.WHT.50.24.

Track Mounted



|                          |                       |
|--------------------------|-----------------------|
| <b>Mounting</b>          | Track 3-Circuit       |
| <b>Wattage</b>           | 25W                   |
| <b>Voltage</b>           | 240V                  |
| <b>Dimensions</b>        | (D) Ø106mm x (L) 85mm |
| <b>Finish</b>            | White                 |
| <b>Inner Trim Finish</b> | White                 |
| <b>CCT</b>               | 5000K                 |
| <b>Beam Angle</b>        | 24°                   |
| <b>Material</b>          | Aluminium             |
| <b>IP Rating</b>         | IP20                  |
| <b>Luminous Flux</b>     | 2039lm                |
| <b>CRI</b>               | >92+                  |
| <b>Colour Deviation</b>  | <2 SDCM               |
| <b>Lifetime</b>          | 50,000 hours          |
| <b>Driver</b>            | Remote                |



## Control Gear

## Accessories

