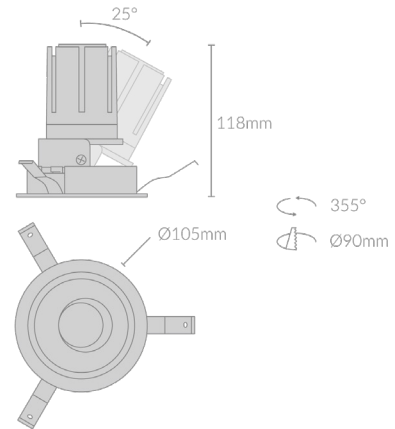
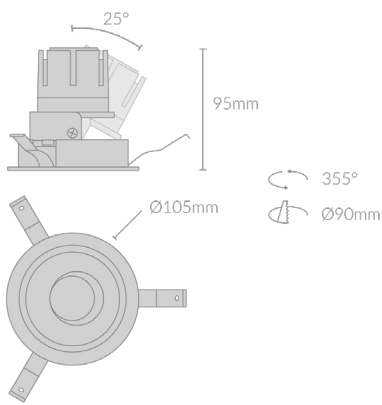


MODO ANTI-GLARE TILT R105



Specifications

Mounting	Recessed Mounting
Wattage	9W, 15W
Voltage	240V
Dimensions	(D) Ø105mm x (H) 95mm/118mm Cut Out - Ø90mm
Finish	Black/White
Inner Trim Finish	Anthracite/Matte Silver/Matte White/Chrome/ Matte Black/Matte Gold/Custom
CCT	2700K/3000K/3500K/4000K
Beam Angle	15°/24°/38°/50°
Material	Aluminum
Driver	Remote
IP Rating	IP20
UGR	<16
Luminous Flux	765/1275lm
CRI	>92+
Accessories	Honeycomb Lens, Soft Lens

Colour Deviation	<2 SDCM
Lifetime	50,000 hours
Adjustability	
Control Gear	TRIAC, DALI
Warranty	5 years

Product Accessories

Honeycomb Lens



Soft Lens



Product Code

Example: MODO.AGTR105.9.BLK.ATH.27.15.HCMB.TRIAC

Product	Wattage	Finish	Inner Trim	CCT	Beam Angle	Accessories	Control Gear
MODO.AGTR105	9(W)	BLK (Black)	ATH (Anthracite)	27 (00K)	15(°)	HCMB (Honeycomb Lens)	TRIAC (TRIAC)
	15(W)	WHT (White)	MSV (Matte Silver)	30 (00K)	24(°)	SFSL (Soft Lens)	DALI (DALI)
			MWH (Matte White)	35 (00K)	38(°)		
			CHM (Chrome)	40 (00K)	50(°)		
			MBK (Matte Black)				
			MGD (Matte Gold)				
			CTM (Custom)				