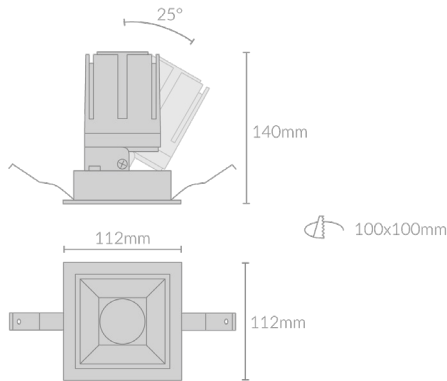
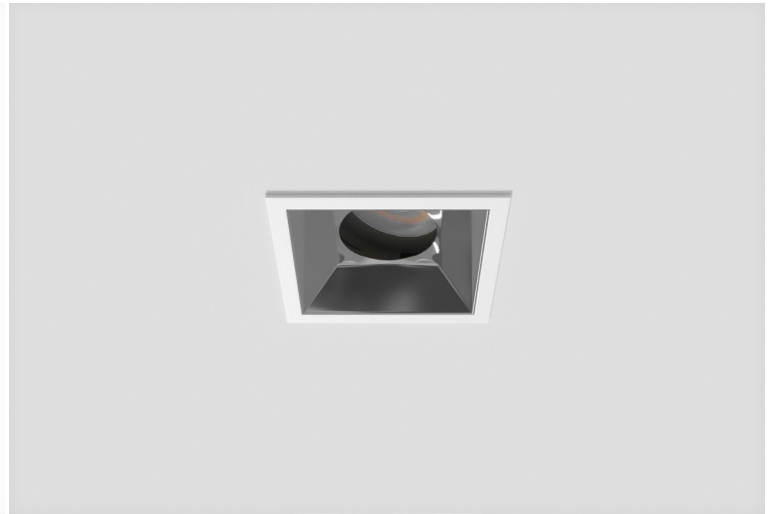


MODO ANTI-GLARE TILT S112



Specifications

Mounting	Recessed/Plaster Recessed Mounting
Wattage	24W
Voltage	240V
Dimensions	(W) 112mm x (L) 112mm x (H) 140mm Cut Out - 100 x 100mm
Finish	Black/White
Inner Trim Finish	Anthracite/Matte Silver/Matte White/Chrome/ Matte Black/Matte Gold/Custom
CCT	2700K/3000K/3500K/4000K
Beam Angle	15°/24°/38°/50°
Material	Aluminum
Driver	Remote
IP Rating	IP20
UGR	<19
Luminous Flux	2040lm
CRI	>92+
Accessories	Honeycomb Lense, Soft Lense

Colour Deviation	<2 SDCM
Lifetime	50,000 hours
Adjustability	
Control Gear	TRIAC, DALI
Warranty	5 years

Product Accessories

Honeycomb Lens



Soft Lens



Product Code

Example: MODO.AGTS112.24.BLK.ATH.27.15.HCMB.TRIAC

Product	Wattage	Finish	Inner Trim	CCT	Beam Angle	Accessories	Control Gear
MODO.AGTS112	24(W)	BLK (Black) WHT (White)	ATH (Anthracite) MSV (Matte Silver) MWH (Matte White) CHM (Chrome) MBK (Matte Black) MGD (Matte Gold) CTM (Custom)	27 (00K) 30 (00K) 35 (00K) 40 (00K)	15(°) 24(°) 38(°) 50(°)	HCMB (Honeycomb Lens) SFLS (Soft Lens)	TRIAC (TRIAC) DALI (DALI)