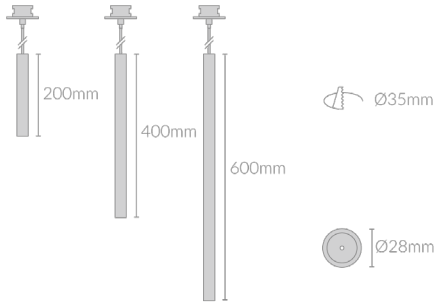
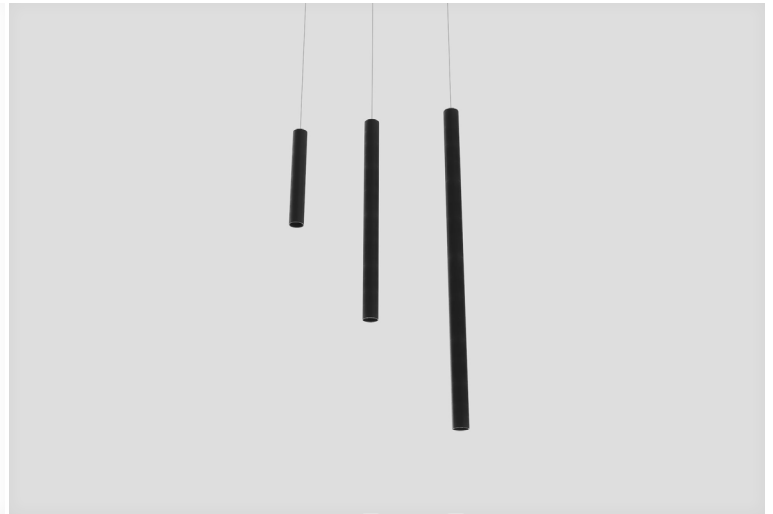




DOT MINI CYLINDER 28



Specifications

Mounting	Suspension Mounting
Wattage	3W
Dimensions	(D) Ø28mm x (L) 200/400/600mm
	Drop Length - (L) 2000mm
Finish	Black/White
Inner Trim Finish	
CCT	2700K/3000K/4000K
Beam Angle	20°
Material	Aluminum
Driver	Inbuilt
IP Rating	IP20
UGR	
Luminous Flux	255lm
CRI	>90
Accessories	
Colour Deviation	<2 SDCM
Lifetime	50,000 hours

Adjustability	
Control Gear	TRIAC
Warranty	3 years

Product Code

Example - DOT.MC28.15.BLK.27.20.TRIAC

Product Name
DOT.MC28

Wattage
15(W)

Finish
BLK (Black)
WHT (White)

CCT
27 (00K)
30 (00K)
40 (00K)

Beam Angle
20(°)

Control Gear
TRIAC (TRIAC)