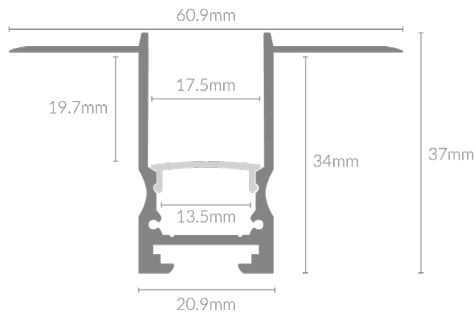
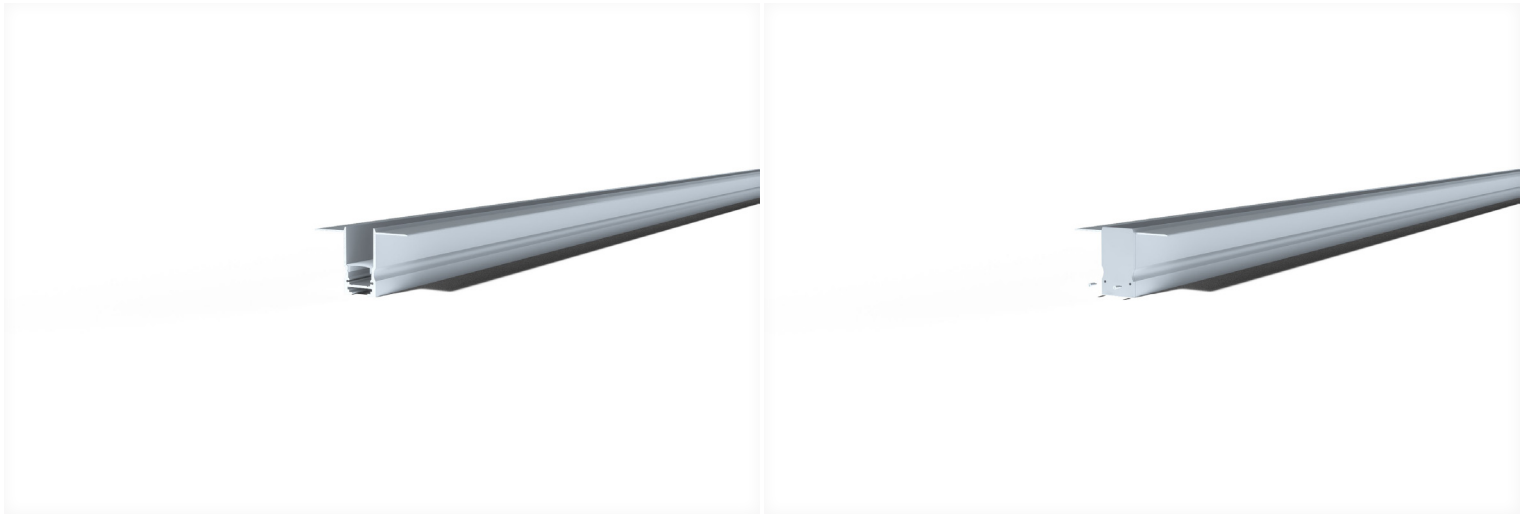




LP PR6037



Specifications

Mounting	Plaster Recess Mounted
Dimensions	(W) 60.9mm x (H) 37mm
Length	2000mm,2500mm,3000mm
Finish	Anodized Aluminium, Black, White, Custom Powdercoat
Extrusion Material	Anodized Aluminium
Diffuser Material	Polycarbonate
End Cap Material	Polycarbonate
Accessories	End Caps, PC Diffuser, PC Diffuser Black, Connector Plate
Warranty	3 years

Product Accessories

End Caps



PC Diffuser



PC Diffuser Black



Connector Plate



Product Code

Example - LP.PR6037.2000.BLK

Product Name

LP.PR6037

Length

2000 (mm)

2500 (mm)

3000 (mm)

Finish

BLK (Black)

WHT (White)

ANZ (Anodized)

CTM (Custom)

Product Accessory Code

Example - LP.PR6037.ENDC

Product Name

LP.PR6037

Accessories

ENDC (End Caps)

PCDC (PC Diffuser)

PCDB (PC Diffuser Black)

CNPT (Connector Plate)