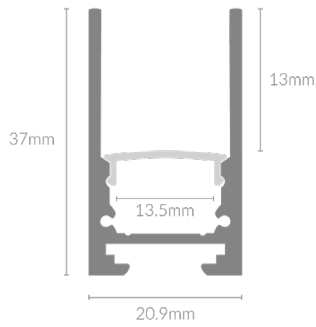
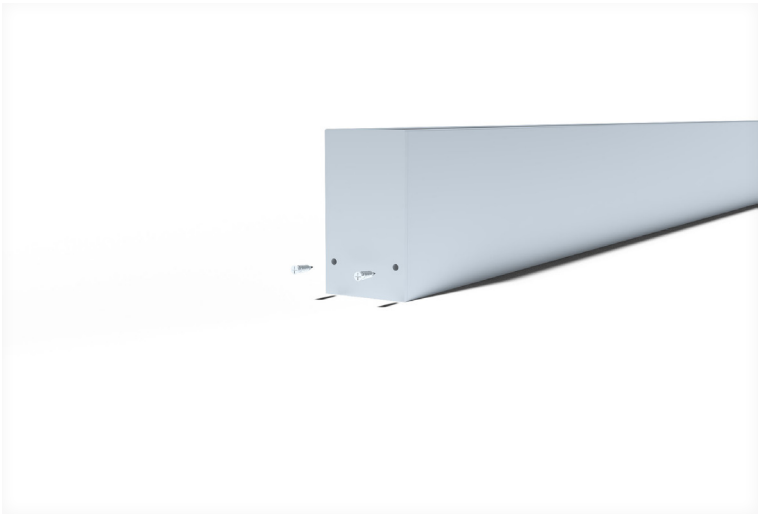
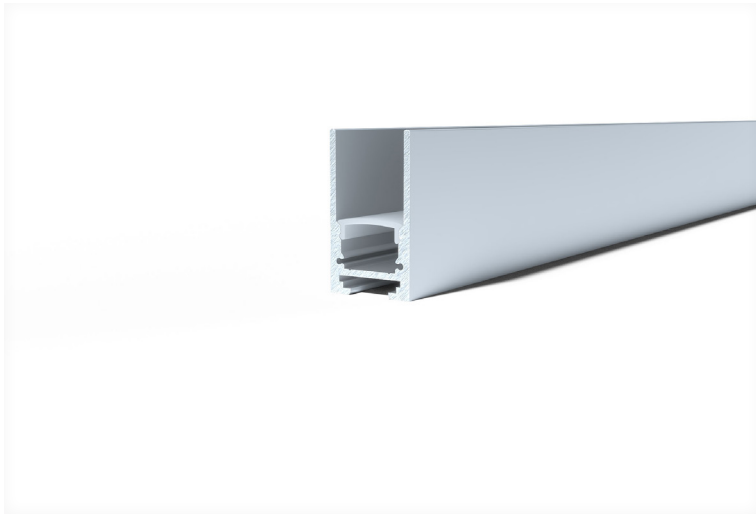




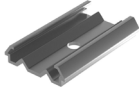


LP S2137



Specifications

Mounting	Surface Mounted
Dimensions	(W) 20.9mm x (H) 37mm
Length	2000mm,2500mm,3000mm
Finish	Anodized Aluminium, Black, White, Custom Powdercoat
Extrusion Material	Anodized Aluminium
Diffuser Material	Polycarbonate
End Cap Material	Polycarbonate
Accessories	Profile Clip, End Caps, PC Diffuser
Warranty	3 years

Product Accessories

<p>Profile Clip</p> 	<p>End Caps</p> 	<p>PC Diffuser</p> 	
---	---	---	--

Product Code

Example - LP.S2137.2000.BLK

<p>Product Name</p> <p>LP.S2137</p>	<p>Length</p> <p>2000 (mm)</p> <p>2500 (mm)</p> <p>3000 (mm)</p>	<p>Finish</p> <p>BLK (Black)</p> <p>WHT (White)</p> <p>ANZ (Anodized)</p> <p>CTM (Custom)</p>
-------------------------------------	--	---

Product Accessory Code

Example - LP.S2137.PRFC

<p>Product Name</p> <p>LP.S2137</p>	<p>Accessories</p> <p>PRFC (Profile Clip)</p> <p>ENDC (End Caps)</p> <p>PCDC (PC Diffuser)</p>
-------------------------------------	--