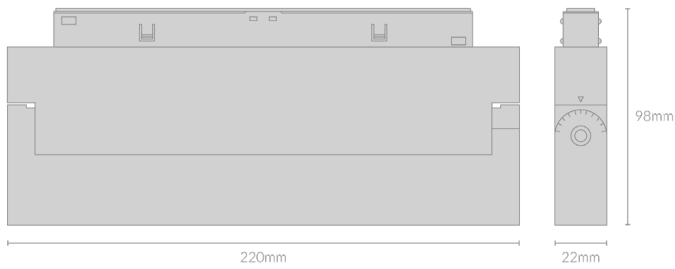
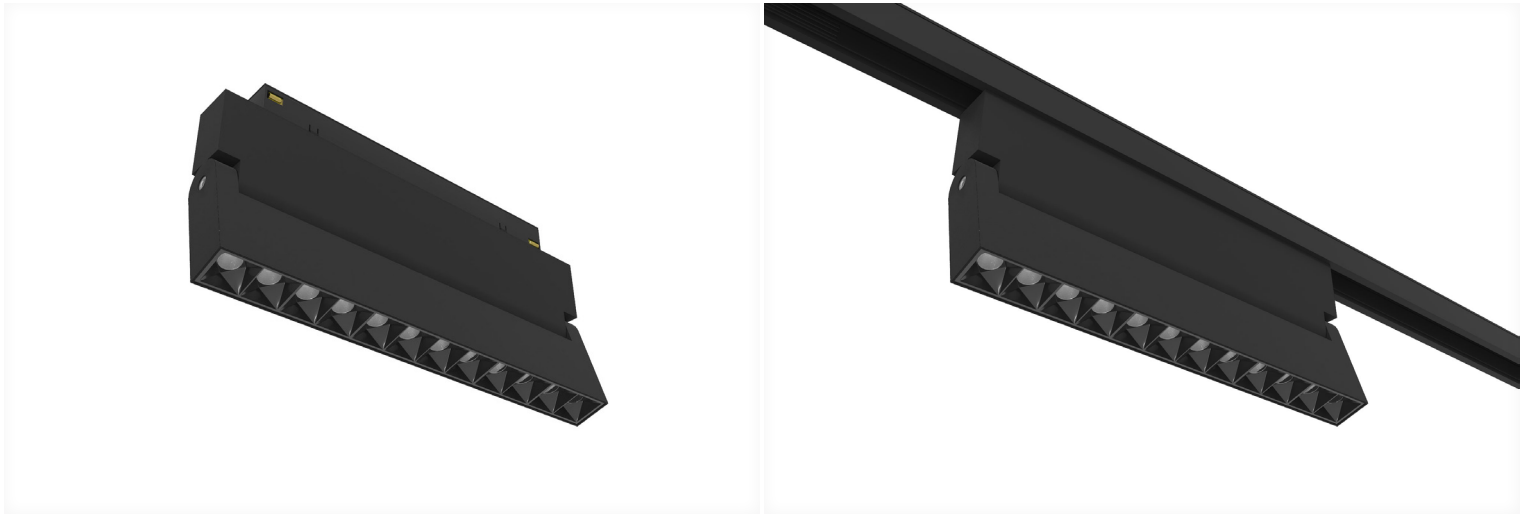


LOOR LINEAR ADJUSTABLE SPOT 220



Specifications

Mounting	Track Mounted
Wattage	12W
Voltage	48V
Dimensions	(W) 22mm x (H) 98mm x (L) 220mm
Finish	Black
Inner Trim Finish	Black
CCT	2700K/3000K/3500K/4000K
Beam Angle	24°/38°
Driver	Remote
IP Rating	IP20
Luminous Flux	804lm
CRI	>90
Control Gear	1-10V Dimming/DALI
Warranty	5 years

Product Code

Example - LOOR.LSA220.12.BLK.BLK.27.24.1-10V

Product Name	Wattage	Finish	Inner Trim	CCT	Beam Angle	Control Gear
LOOR.LSA220	12(W)	BLK (Black)	BLK (Black)	27 (00K) 30 (00K) 35 (00K) 40 (00K)	24(°) 38(°)	1-10V (Dimming) DA (DALI)