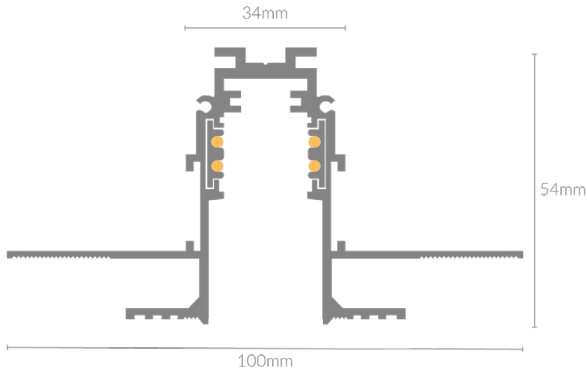
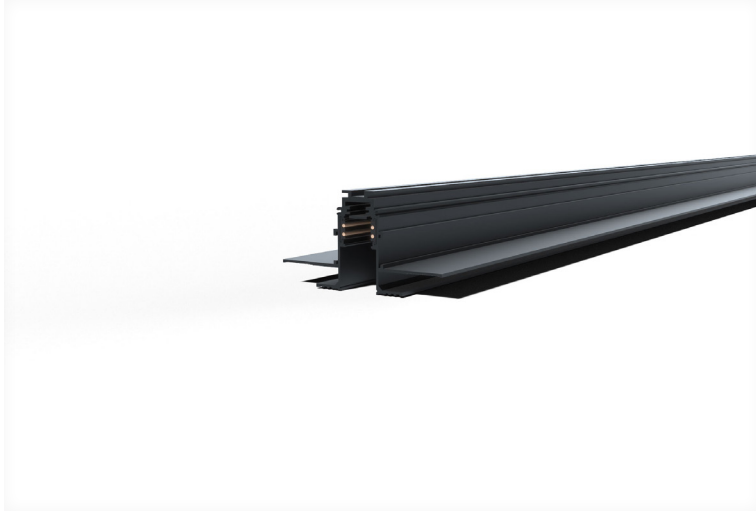




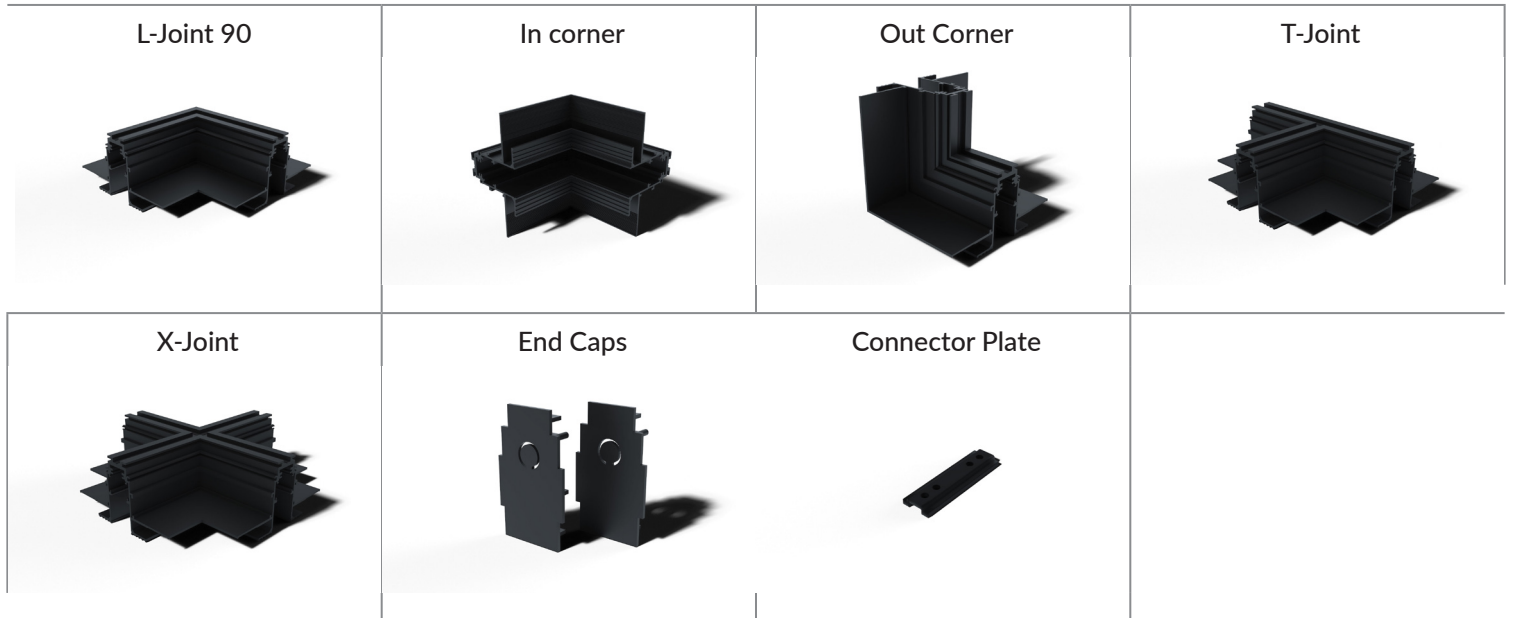
LOOR TRACK R10354



Specifications

Mounting	Trimless
Voltage	48V
Dimensions	(W) 103mm x (H) 54mm
Length	2000mm
Finish	Black/White
IP Rating	IP20
Control Gear	Remote
Warranty	5 years

Product Accessories



Product Code

Example - TRKR10354.TRM.20.BLK.LJ90

Product Name	Mounting	Length	Finish	Accessories
<p>LOOR.TRKR10354</p>	<p>TRM (Trimless)</p>	<p>20 (00mm)</p>	<p>BLK (Black) WHT (White)</p>	<p>LJ90 (L-Joint 90) IC (In Corner) OC (Out Corner) TJ (T-Joint) XJ (X-Joint) EC (End Caps) CP (Connector Plate)</p>