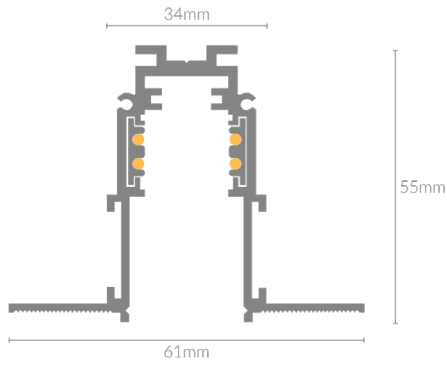




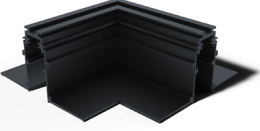
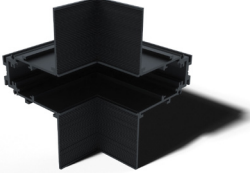
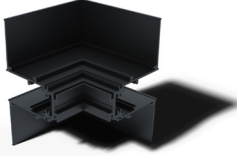
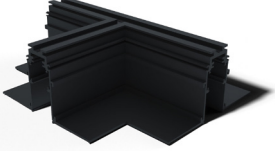



# LOOR TRACK R6155



## Specifications

Mounting	Trimless
Voltage	48V
Dimensions	(W) 61mm x (H) 55mm
Length	2000mm
Finish	Black/White
IP Rating	IP20
Control Gear	Remote
Warranty	5 years

## Product Accessories

<p>L-Joint 90</p> 	<p>In corner</p> 	<p>Out Corner</p> 	<p>T-Joint</p> 
<p>X-Joint</p> 	<p>End Caps</p> 	<p>Connector Plate</p> 	

## Product Code

Example - TRKR6155.TRM.20.BLK.LJ90

Product Name	Mounting	Length	Finish	Accessories
LOOR.TRKR6155	TRM (Trimless)	20 (00mm)	BLK (Black) WHT (White)	LJ90 (L-Joint 90) IC (In Corner) OC (Out Corner) TJ (T-Joint) XJ (X-Joint) EC (End Caps) CP (Connector Plate)