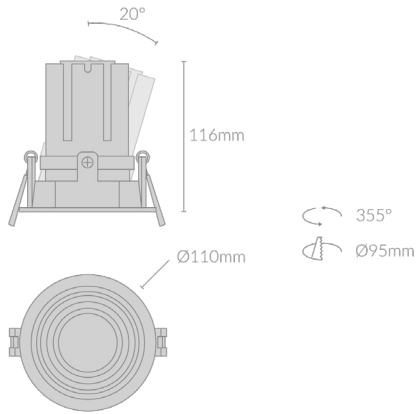


MODO SPOT LIGHT ONE R110



Specifications

Mounting	Recessed Mounting
Wattage	24W
Voltage	240V
Dimensions	(D) Ø110mm x (H) 116mm Cut Out - Ø95mm
Finish	Black/White
Inner Trim Finish	
CCT	2700K/3000K/3500K/4000K
Beam Angle	15°/24°/38°/55°
Material	Aluminum
Driver	Remote
IP Rating	IP20
UGR	<19
Luminous Flux	765/1275lm
CRI	>92+
Accessories	
Colour Deviation	<2 SDCM

Lifetime	50,000 hours
Adjustability	
Control Gear	TRIAC, DALI
Warranty	5 years

Product Code

EXAMPLE: MODO.SLOR110.24.BLK.27.15.TRIAC

Product	Wattage	Finish	CCT	Beam Angle	Control Gear
MODO.SLOR110	24(W)	BLK (Black) WHT (White)	27 (00K) 30 (00K) 35 (00K) 40 (00K)	15 (°) 24 (°) 38 (°) 55 (°)	TRIAC (TRIAC) DALI (DALI)