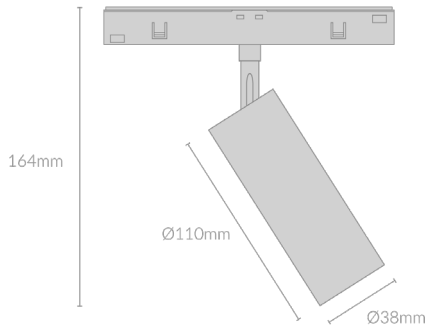


LOOR SPOT ONE 38



Specifications

Mounting	Track Mounted
Wattage	10W
Voltage	48V
Dimensions	(D) Ø38mm x (L) 110mm Overall Length - (L) 164mm
Finish	Black/White
Inner Trim Finish	Black/White
CCT	3000K/4000K/5000K
Beam Angle	18°/24°/36°
Driver	Remote
IP Rating	IP20
Luminous Flux	780lm
CRI	>92+
Control Gear	1-10V Dimming/DALI
Warranty	5 years

Product Code

Example - LOOR.SO38.10.BLK.BLK.30.18.1-10V

Product Name	Wattage	Finish	Inner Trim	CCT	Beam Angle	Control Gear
LOOR.SO38	10(W)	BLK (Black) WHT (White)	BLK (Black) WHT (White)	30 (00K) 40 (00K) 50 (00K)	18(°) 24(°) 36(°)	1-10V (1-10V Dimming) DALI (DALI)