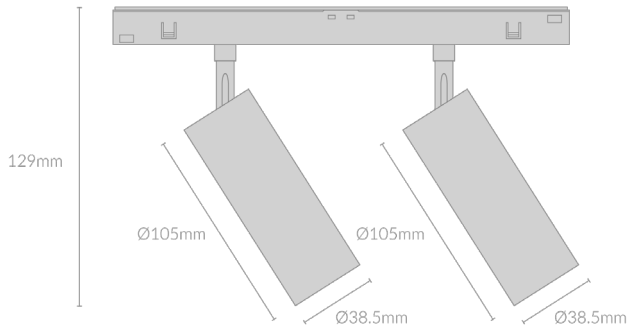




LOOR SPOT TWO 38



Specifications

Mounting	Track Mounted
Wattage	2x10W
Voltage	48V
Dimensions	(D) Ø38.5mm x (L) 105mm Overall Length - (L) 129mm
Finish	Black/White
Inner Trim Finish	Black/White
CCT	2700K/3000K/3500K/4000K
Beam Angle	15°/24°/38°
Driver	Remote
IP Rating	IP20
Luminous Flux	1504lm
CRI	>92+
Control Gear	Non-dimmable
Warranty	5 years

Product Code

Example - LOOR.ST38.2X10.BLK.BLK.27.15.NDM

Product Name	Wattage	Finish	Inner Trim	CCT	Beam Angle	Control Gear
LOOR.ST38	2X10(W)	BLK (Black) WHT (White)	BLK (Black) WHT (White)	27 (00K) 30 (00K) 35 (00K) 40 (00K)	15(°) 24(°) 38(°)	NDM (Non-dimmable)