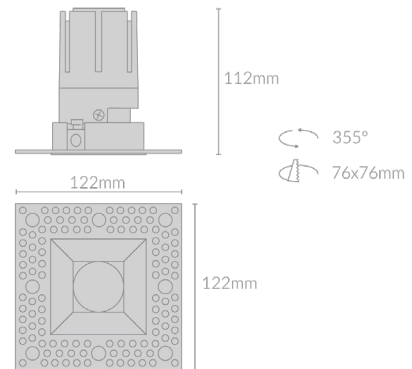
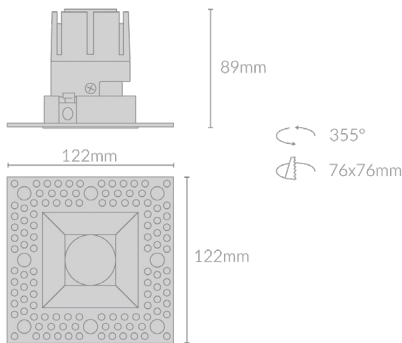
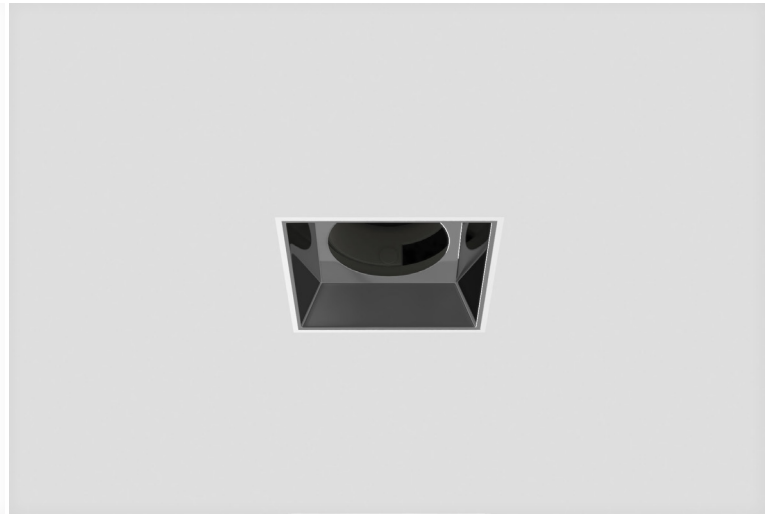


# MODO ANTI-GLARE TRIMLESS FIXED S85



## Specifications

Mounting	Plaster Recessed Mounting
Wattage	9W, 15W
Voltage	240V
Dimensions	(W) Ø122mm x (L) 122mm x (H) 89/112mm Cut Out - 76mm x 76mm
Finish	Black/White
Inner Trim Finish	Anthracite/Matte Silver/Matte White/Chrome/ Matte Black/Matte Gold/Custom
CCT	2700K/3000K/3500K/4000K
Beam Angle	15°/24°/38°/50°
Material	Aluminum
Driver	Remote
IP Rating	IP20
UGR	<19
Luminous Flux	765/1275lm
CRI	>92+
Accessories	Honeycomb Lens, Soft Lens

Colour Deviation	<2 SDCM
Lifetime	50,000 hours
Adjustability	
Control Gear	TRIAC, DALI
Warranty	5 years

## Product Accessories

Honeycomb Lens



Soft Lens



## Product Code

Example: MODO.AGTFS085.9.BLK.ATH.27.15.HCMB.TRIAC

Product	Wattage	Finish	Inner Trim	CCT	Beam Angle	Accessories	Control Gear
MODO.AGTFS085	9(W)	BLK (Black)	ATH (Titanium)	27 (00K)	15(°)	HCMB (Honeycomb Lens)	TRIAC (TRIAC)
		WHT (White)	MSV (Matte Silver)	30 (00K)	24(°)	SFSL (Soft Lens)	DALI (DALI)
	15(W)	MWH (Matte White)	35 (00K)	38(°)			
		CHM (Chrome)	40 (00K)	50(°)			
		MBK (Matte Black)					
		MGD (Matte Gold)					
		CTM (Custom)					