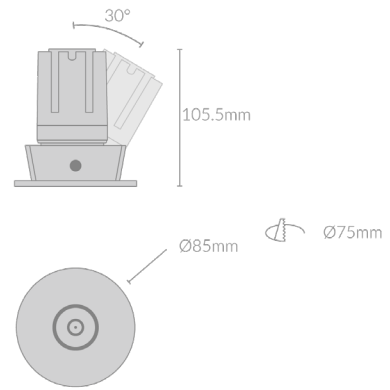
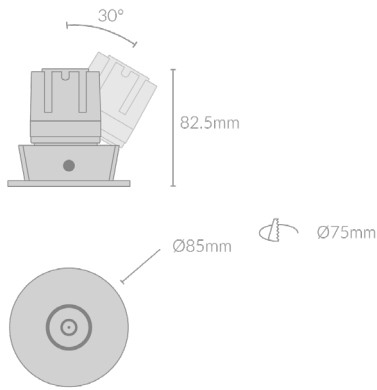
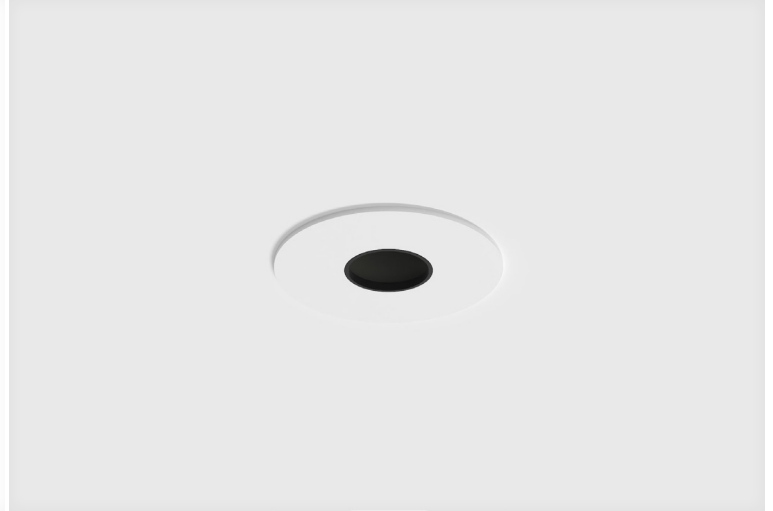


MODO PIN SPOT 85



Specifications

Mounting	Recessed Mounting	Lifetime	50,000 hours
Wattage	9/15W	Adjustability	
Voltage	240V	Control Gear	TRIAC, DALI
Dimensions	(D) Ø85mm x (H) 82.5/105.5mm	Warranty	5 years
	Cut Out - Ø75mm		
Finish	Black/White		
Inner Trim Finish	N/A		
CCT	2700K/3000K/3500K/4000K		
Beam Angle	15°/24°/38°/55°		
Material	Aluminum		
Driver	Remote		
IP Rating	IP20		
UGR	<19		
Luminous Flux	765/1275lm		
CRI	>92+		
Accessories	Honeycomb Lens, Soft Lens		
Colour Deviation	<2 SDCM		

Product Accessories

Soft Lens



Product Code

Example - MODO.PS085.9.BLK.27.15.SFLS.TRIAC

Product	Wattage	Finish	CCT	Beam Angle	Accessories	Control Gear
MODO.PS085	9(W) 15(W)	BLK (Black) WHT (White)	27 (00K) 30 (00K) 35 (00K) 40 (00K)	15(°) 24(°) 38(°) 55(°)	SFLS (Soft Lens)	TRIAC (TRIAC) DALI (DALI)