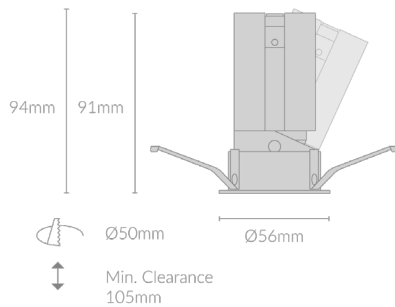
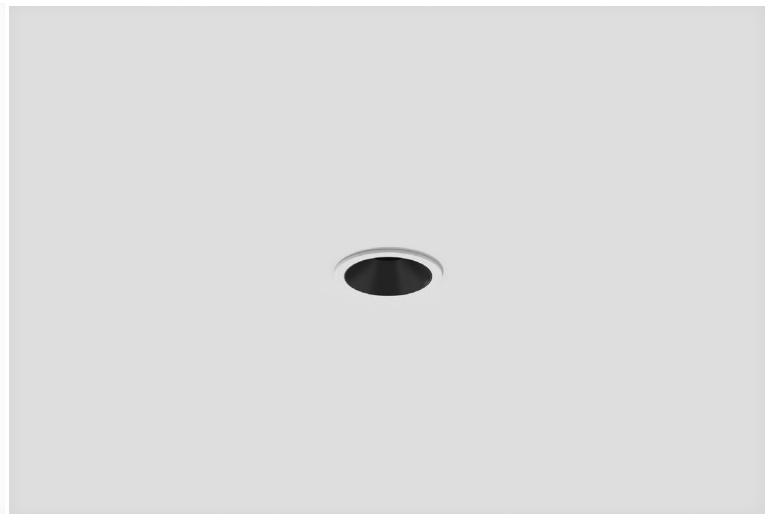


# HIRO ANTI-GLARE TILT R56



## Specifications

Mounting	Recessed Mounting
Wattage	8W
Voltage	240V
Dimensions	(D) Ø56mm x (H) 91mm Cut Out - Ø50mm
Finish	Black/White
Inner Trim Finish	Anthracite/Matte Silver/Matte White/Chrome/ Matte Black/Matte Gold/Custom
CCT	2700K/3000K/3500K/4000K
Beam Angle	15°/24°/36°/45°
Material	Aluminum
Driver	Remote
Driver Dimensions	(L) 110mm x (W) 42mm x (H) 24mm
IP Rating	IP20
UGR	<19
Luminous Flux	667lm
CRI	>92+

Accessories	Honeycomb Lens, Soft Lens, Diffuser Lens
Colour Deviation	<2 SDCM
Lifetime	50,000 hours
Adjustability	
Control Gear	TRIAC, DALI
Warranty	5 years

## Product Accessories

Honeycomb Lens



Soft Lens



Diffuser Lens



## Product Code

Example: HIRO.AGTR056.8.BLK.ATH.27.15.HCMB.TRIAC

Product	Wattage	Finish	Inner Trim	CCT	Beam Angle	Accessories	Control Gear
HIRO.AGTR056	8(W)	BLK (Black) WHT (White)	ATH (Anthracite) MSV (Matte Silver) MWH (Matte White) CHM (Chrome) MBK (Matte Black) MGD (Matte Gold) CTM (Custom)	27 (00K) 30 (00K) 35 (00K) 40 (00K)	15(°) 24(°) 36(°) 45(°)	HCMB (Honeycomb Lens) SFLS (Soft Lens) DFLS (Diffuser Lens)	TRIAC (TRIAC) DALI (DALI)