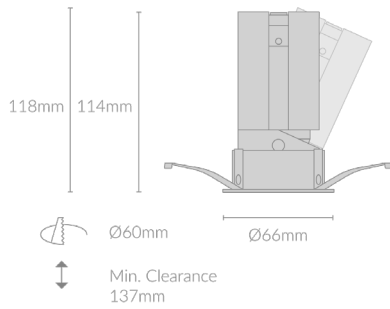
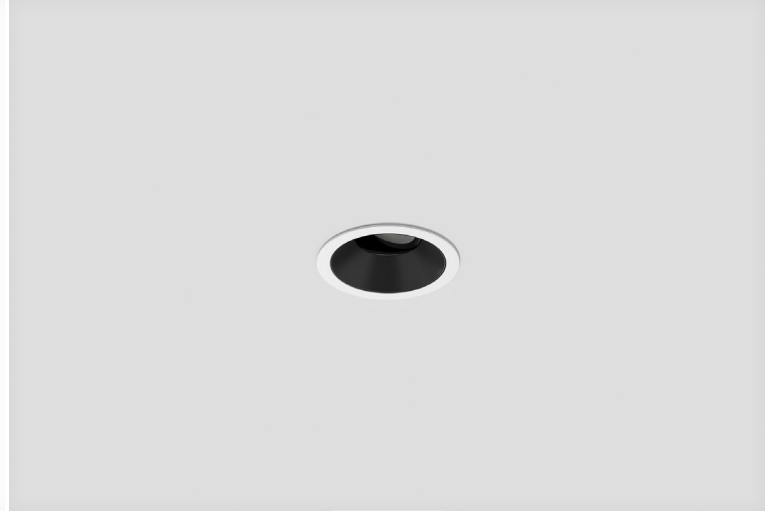


HIRO ANTI-GLARE TILT R66



Specifications

Mounting	Recessed Mounting	Accessories	Honeycomb Lens, Soft Lens, Diffuser Lens
Wattage	12W	Colour Deviation	<2 SDCM
Voltage	240V	Lifetime	50,000 hours
Dimensions	(D) Ø66mm x (H) 114mm Cut Out - Ø60mm	Adjustability	
Finish	Black/White	Control Gear	TRIAC, DALI
Inner Trim Finish	Anthracite/Chrome/Matte Black/ Matte White	Warranty	5 years
CCT	2700K/3000K/3500K/4000K		
Beam Angle	15°/24°/36°/45°/55°		
Material	Aluminum		
Driver	Remote		
Driver Dimensions	(L) 110mm x (W) 42mm x (H) 24mm		
IP Rating	IP20		
UGR	<19		
Luminous Flux	1032lm		
CRI	>92+		

Product Accessories

Honeycomb Lens



Soft Lens



Diffuser Lens



Product Code

Example: MODO.AGTR066.12.BLK.ATH.27.15.HCMB.TRIAC

Product	Wattage	Finish	Inner Trim	CCT	Beam Angle	Accessories	Control Gear
MODO.AGTR066	12(W)	BLK (Black) WHT (White)	ATH (Anthracite) CHM (Chrome) MBK (Matte Black) MWH (Matte White)	27 (00K) 30 (00K) 35 (00K) 40 (00K)	15(°) 24(°) 36(°) 45(°) 55(°)	HCMB (Honeycomb Lens) SFLS (Soft Lens) DFLS (Diffuser Lens)	TRIAC (TRIAC) DALI (DALI)