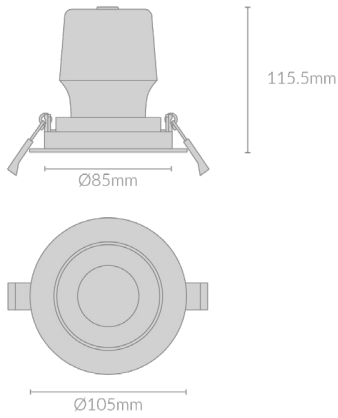
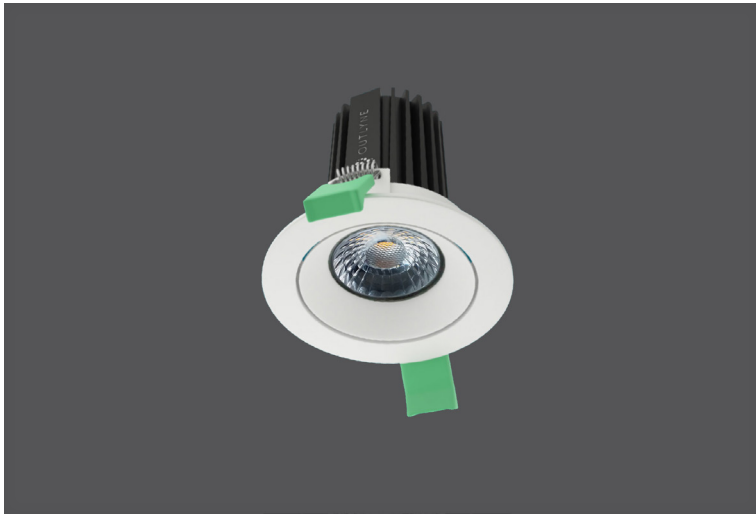




KAST 12 CURVE



Specifications

Mounting	Recessed Mounting
Wattage	12W
Voltage	240V
Dimensions	(D) Ø105mm x (H) 115.5mm
Cut Out Dimensions	(D) Ø95mm
Finish	White
CCT	3000K/4000K/5000K
Beam Angle	60°
Material	Aluminum
Driver	Remote
IP Rating	IP23
Luminous Flux	960lm
CRI	>80
Colour Deviation	<2 SDCM
Lifetime	35,000 hours
Adjustability	
Control Gear	TRIAC

Warranty	3 years
----------	---------

Product Code

Example - KAST.12C.12.BLK.30.60.TRIAC

Product

KAST.12C

Wattage

12(W)

Finish

WHT (White)

CCT

30 (00K)

40 (00K)

50 (00K)

Beam Angle

60(°)

Control Gear

TRIAC (TRIAC)