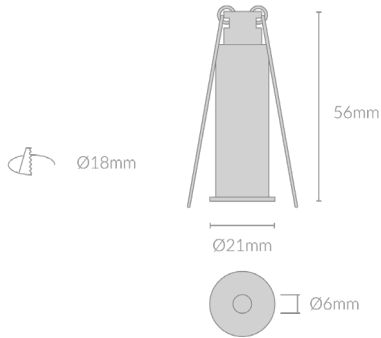
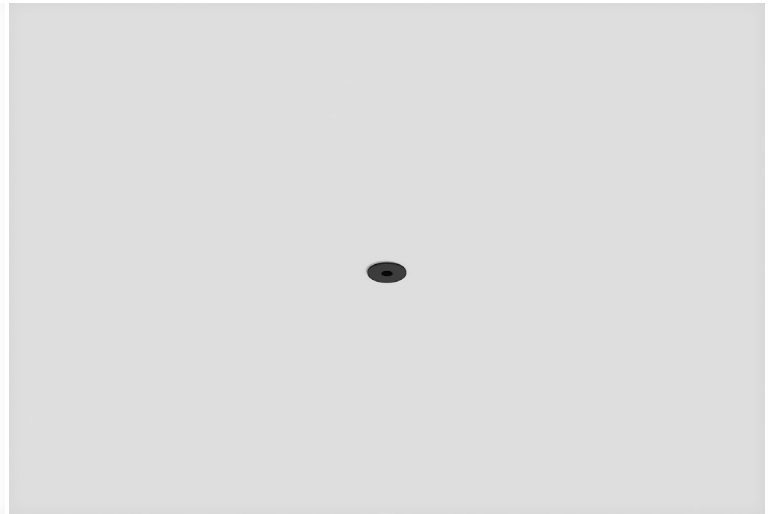


# MIRO DOT MINI 21



## Specifications

Mounting	Recessed Mounting
Wattage	1W
Voltage	DC48V
Dimensions	(D) Ø21mm x (H) 56mm Cut Out - Ø18mm
Finish	Black/White
Inner Trim Finish	N/A
CCT	2700K/3000K/3500K/4000K
Beam Angle	15°/24°
Material	Aluminum
Driver	Remote
IP Rating	IP20
UGR	<19
Luminous Flux	42lm
CRI	>92+
Accessories	N/A
Colour Deviation	<2 SDCM

Lifetime	50,000 years
Adjustability	N/A
Control Gear	Non Dimmable, 1-10V, DALI
Warranty	5 years

# Product Code

---

Example - MIRO.DM21.1.BLK.27.15.NDM

Product	Wattage	Finish	CCT	Beam Angle	Control Gear
MIRO.DM21	1(W)	BLK (Black) WHT (White)	27 (00K) 30 (00K) 35 (00K) 40 (00K)	15(°) 24(°)	NDM (Non-dimmable) 1-10V (1-10V) DALI (DALI)